

Datasheet bSWM-n

INTRODUCTION

The latest generation of working lamps by MTX, a Romanian manufacturer, is ideally suited for working in the most demanding applications. The lamps are widely applied in heavyweight trucks, off-road cars, agricultural and construction machines or fire-fighting vehicles. The use of new-generation LEDs by CREE® guarantees very high light output efficiency values, up to 26590 lm for the 223 W bSWM-n lamp. The aluminum fixtures (body + front) guarantee adequate LED cooling which, combined with an equally durable tempered glass cover, guarantees extraordinary resistance to mechanic damages, impacts or humidity, and establishes a new standard on the market of lamps intended to work in the most demanding environments. The innovative appearance and diverse installation methods give the lamp a significant competitive advantage on the market.



SPECIFICATION

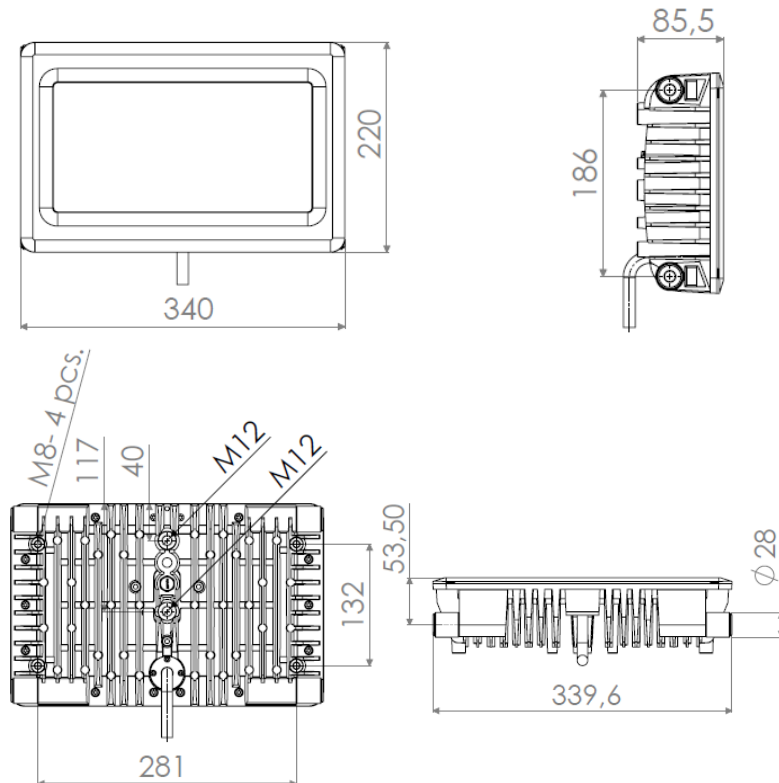
	bSWM-160- CW-00*-AAG	bSWM-210-CW-00*-AAG	bSWM-266-CW-00*-AAG
Compliance	R10	R10	R10
Led Module Luminous Lamp	17250 lm	23000 lm	29430 lm
Luminous Flux Side Lights	15000 lm	20000 lm	25590 lm
Luminous Flux LED Family	1000 lm	1000 lm	1000 lm
Colour Temperature	CREE® XT-E	CREE® XP-G3	CREE® XP-G3
Colour Rendering Index	6500 K	5700 K	5000 K
Power supply type	70	70	70
Supply Voltage	10.5-31V	10.5-31V	10.5-31V
Range	DC	DC	DC
Maximum power	163 W	188 W	223 W
Number of LEDs	76	76	76
Ambient Temperature Range	-30°C ÷ 50° C	-30°C ÷ 50° C	-30°C ÷ 50° C
Tc max.	85° C	85° C	85° C
Dimensions	340/220/85,5 mm	340/220/85,5 mm	340/220/85,5 mm
IP rating	IP67	IP67	IP67
Radiator color	black	black	black
Cable length	500 mm	500 mm	500 mm
Cable type	H07RN-F 3x 2,5 mm2	H07RN-F 3x 2,5 mm2	H07RN-F 3x 2,5 mm2
Weight	5,2 kg	5,2 kg	5,2 kg
Beam Angle*	15°, 35°, mixed (code 00)	15°, 35°, mixed (code 00)	15°, 35°, mixed (code 00)
Lifetime**	≥ 35000 h	≥ 35000 h	≥ 35000 h

**Angle FWHM
** Estimated lifetime based on calculated lifetime of critical components

FEATURES

- Cree® LEDs
- High efficiency
- Heavy duty construction – aluminum heatsink
- Lightning side surface
- Overheat protection
- Reverse voltage protection
- Reflectors covered with tempered glass

DIMENSIONS



APPLICATIONS

bSWM –n can be widely used in different types of application:

- Mast in firefighting vehicles lamps
- Tow truck working lights
- Off-Road cars lamps
- Construction lamps
- Agricultural machinery lamps
- Heavyweight trucks lamps
- Auxiliary vehicle lights

Contact:



+40 748 751 465

sales@mtxledsolutions.com

www.mtxledsolutions.com

MTX LED reserves the right to make technical changes without prior notice.
Copyright © MTX LED 04.03.2021 R04

ORDERING CODE

Ordering code	Item	Description
170508.16310001	bSWM-160-CW-00-AAG	16000 lm, 6500 K, 15° / 35° + side lightening
170508.21320001	bSWM-210-CW-00-AAG	21000 lm, 5700 K, 15° / 35° + side lightening
170508.27330001	bSWM-266-CW-00-AAG	26590 lm, 5000 K, 15° / 35° + side lightening
170508.xx3yy0zz1	bSWM-n-xx-yy-zz- <i>Aabcd</i> *	Custom version*

* Custom version possible change: CCT correlated color temperature (yy), FWHM angle reflector (zz), Luminous flux - power consumption (power range 0 – 210 [W])(maximum power 223 [W]) (xx), material for the front frame (a), material for the front cover (b), color of the lamp (c), special type of the assembly system (d)

