

Mounting Instruction bSWM-n

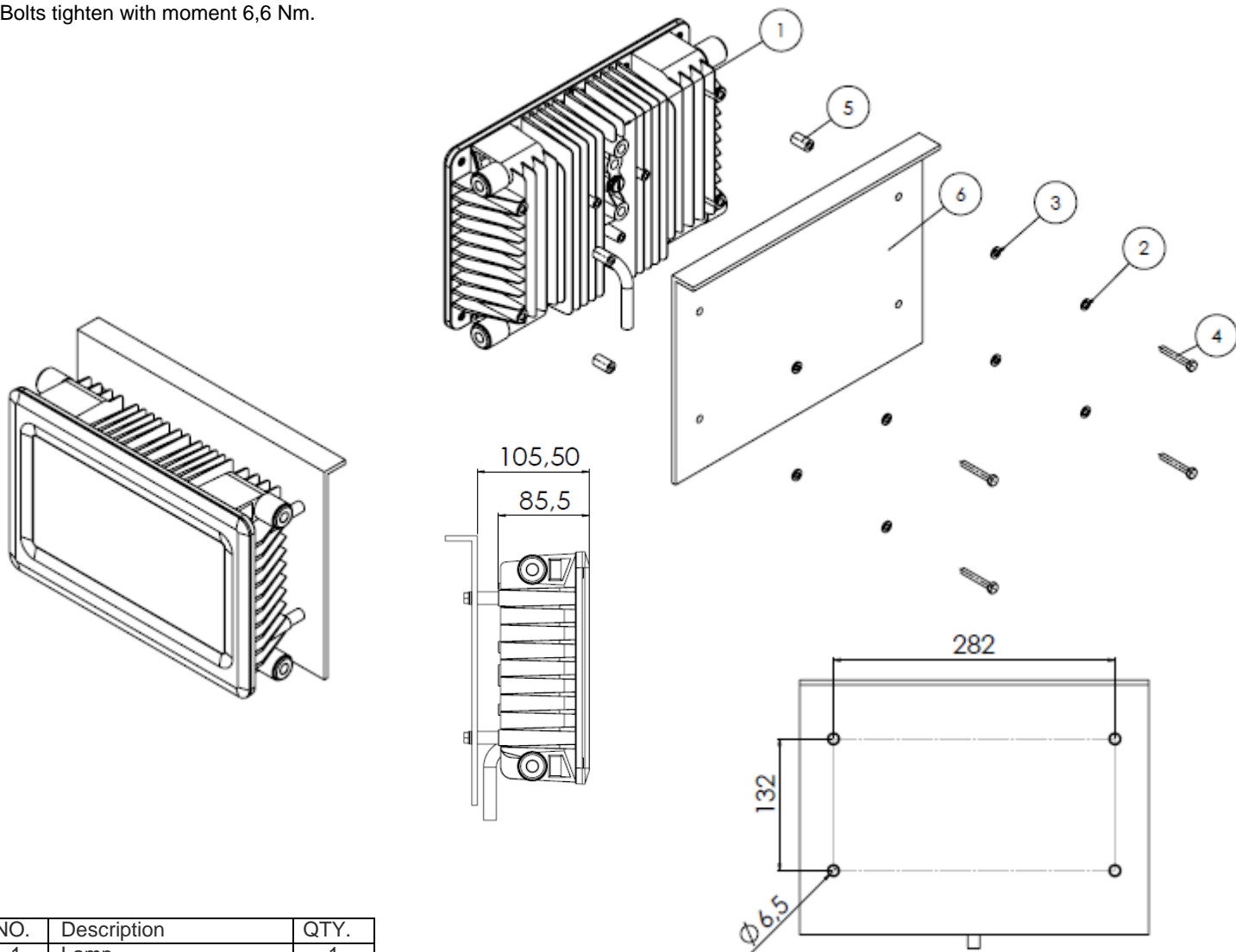
INTRODUCTION

bSWM-n lamp can be mounted as below.

For this mounting system SWM-MK8 Mounting kit is added.

This mounting system is recommended for metal plates thinner than 5mm.

Bolts tighten with moment 6,6 Nm.



NO.	Description	QTY.
1	Lamp	1
2	M6 Spring washer	4
3	M6 Washer	4
4	M6x50 Bolt	4
5	Ø12x20 Distance spacer	4
6	Mounting surface	-

Contact:



+40 748 751 465

sales@mtxledsolutions.com

www.mtxledsolutions.com

MTX LED reserves the right to make technical changes without prior notice

Copyright © MTX LED 22.02.2021 R01

Mounting Instruction bSWM-n

ELECTRIC CONNECTION

Each lamp should be protected by proper fuse, according to technical table.

	Narrow light		Wide light	
Supply voltage	10-30 V			
Average power consumption	12 V	24 V	12 V	24 V
	10 A	5 A	10 A	5 A
Max. Impulse current	15 A		15 A	
Recommended fuse value*	20 A		20 A	
Polarity	Brown	+	N/C	
	Yellow-Green	N/C	+	
	Blue		-	

*Recommended is use two fuses separately for narrow light and wide light

Contact:  +40 748 751 465 | sales@mtxledsolutions.com | www.mtxledsolutions.com

MTX LED reserves the right to make technical changes without prior notice

Copyright © MTX LED 22.02.2021 R01