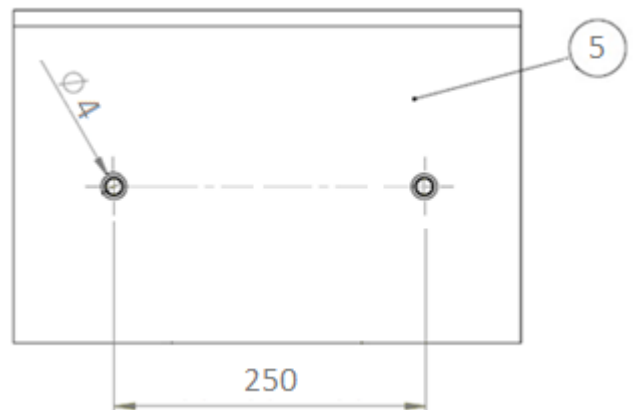
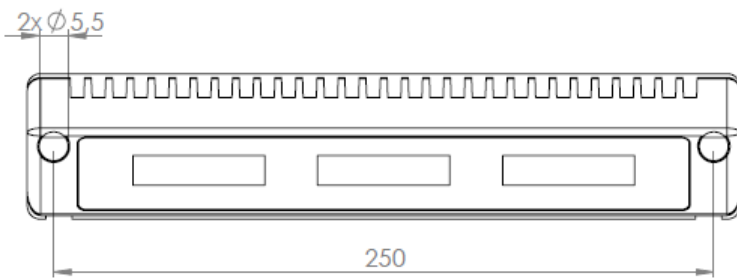
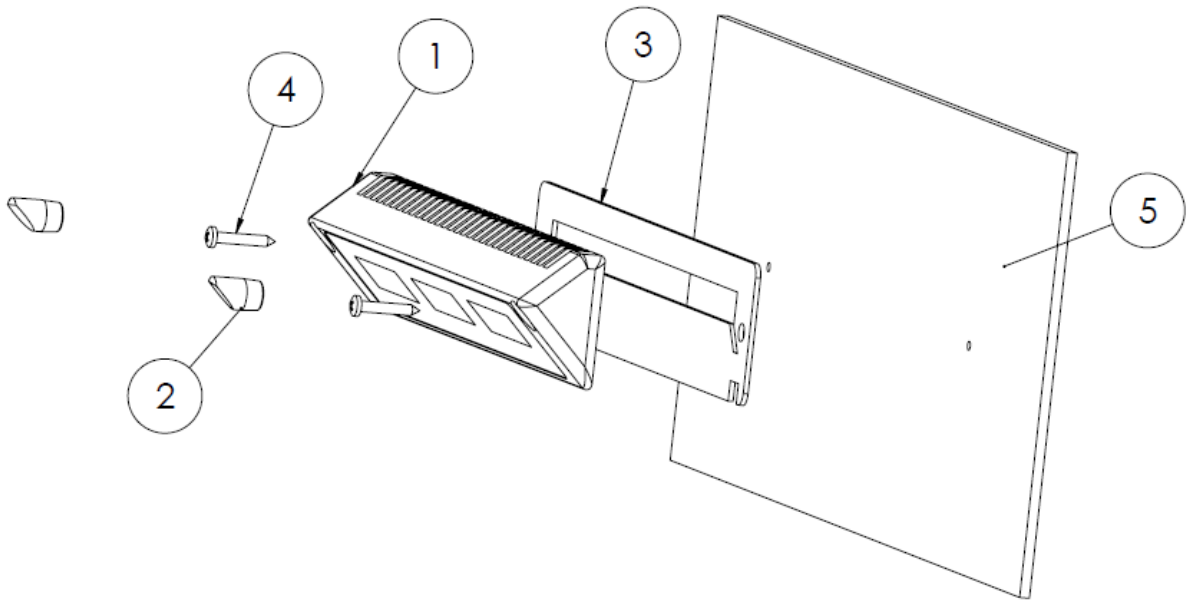
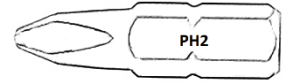


Mounting Instruction AWL

INTRODUCTION

MTX LED AWL should be mounted as follows.

USEFULL TOOLS



NO	Description	QTY.
1	Lamp	1
2	Plug	2
3	Pad	1
4	St.4.8x25 Screw	2
5	Mounting surface	-

Contact:  +40 748 751 465 | sales@mtxledsolutions.com | www.mtxledsolutions.com

MTX LED reserves the right to make technical changes without prior notice.

Copyright © MTX LED 23.05.2018 VA01

Mounting Instruction AWL

ELECTRICAL MOUNTING

Each lamp should be protected by proper fuse, according to technical table.

		AWL-14-yy-75-AAG-x*		AWL-22-yy-75-AAG-x*	
Supply voltage		9 V – 30 V			
Average power consumption		12 V	24 V	12 V	24 V
		1.3 A	0.7 A	2A	1.1A
Max. Impulse current		2.5 A		3 A	
Recommended fuse value		3 A		4 A	
polarity	Red	+			
	Black	-			
*yy - correlated color temperature CCT; x – radiator colour					

Contact:  +40 748 751 465 | sales@mtxledsolutions.com | www.mtxledsolutions.com

MTX LED reserves the right to make technical changes without prior notice.

Copyright © MTX LED 23.05.2018 VA01