

Mounting Instruction mSWM

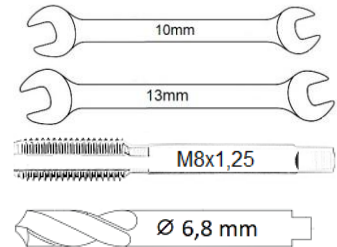
INTRODUCTION

MTX LED mSWM lamp can be mounted in five different ways:

1. SUPPORT MOUNTING – THICK PLATE
2. SUPPORT MOUNTING – THIN PLATE
3. SIDE MOUNTING
4. BACK MOUNTING
5. MAGNET MOUNTING

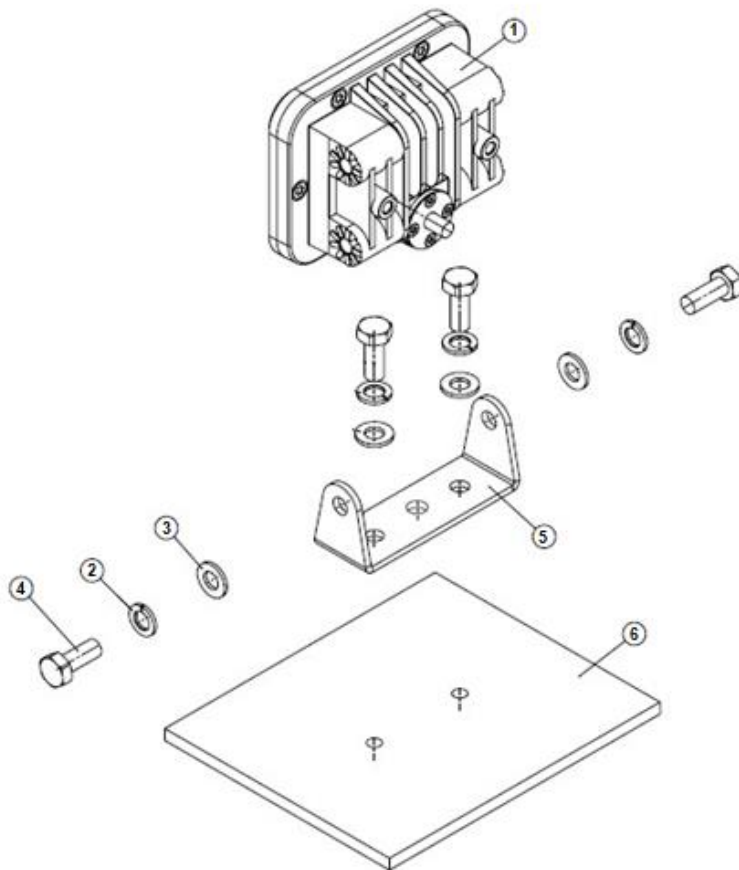
Mounting Kit SWM-MK4 is added to each lamp.

USEFULL TOOLS

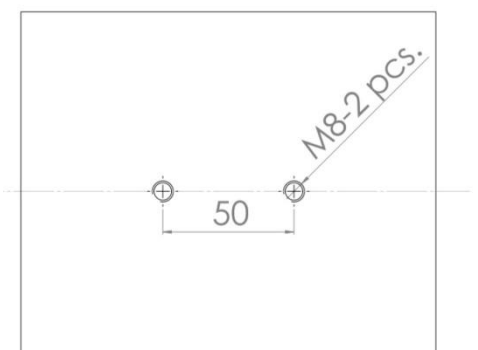
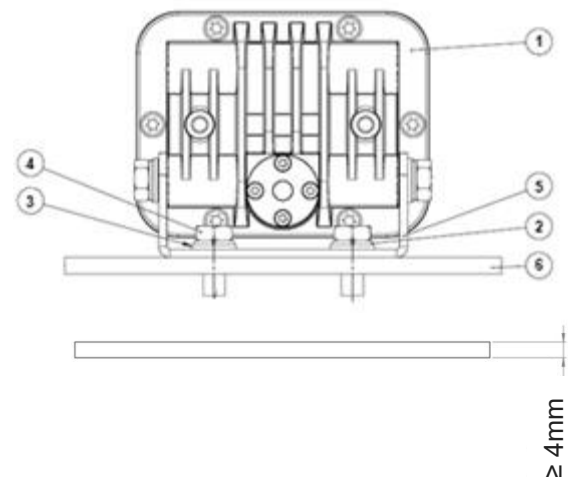


1. SUPPORT MOUNTING – THICK PLATE

For this mounting system SWM-MK4 Mounting Kit is required. This mounting system is recommended for metal plates at least 4mm thick. In this method threading is required. Bolts tighten with moment 15 Nm.



NO.	Description	QTY.
1	Lamp	1
2	M8 Spring washer	4
3	M8 Washer	4
4	M8x25 Bolt	4
5	Mini Support Plate	1
6	Mounting surface	-



Contact:  +40 748 751 465 | sales@mtxledsolutions.com | www.mtxledsolutions.com

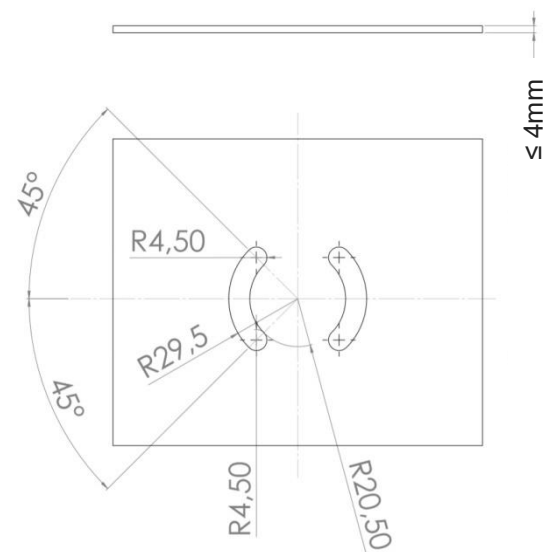
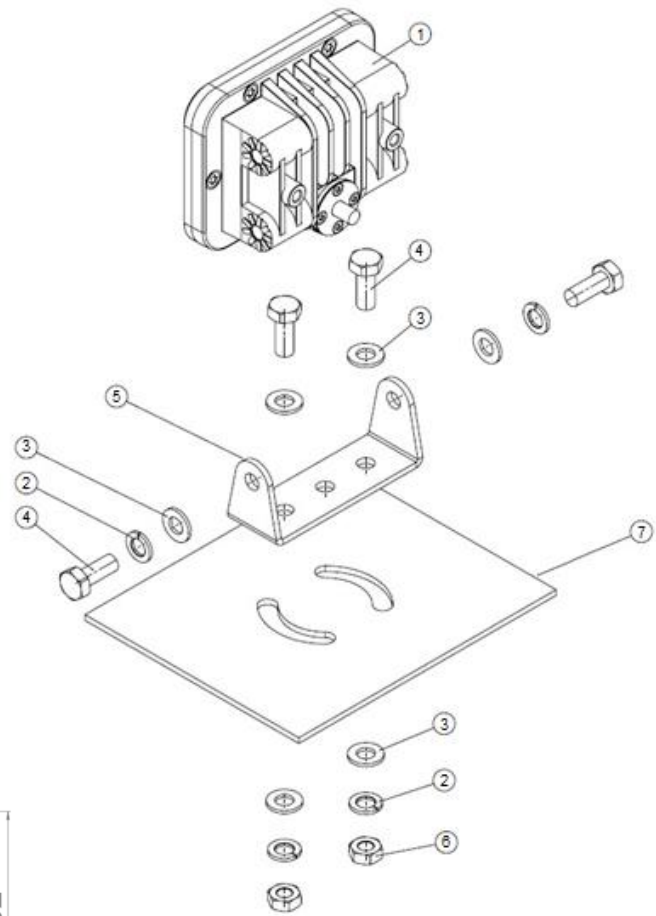
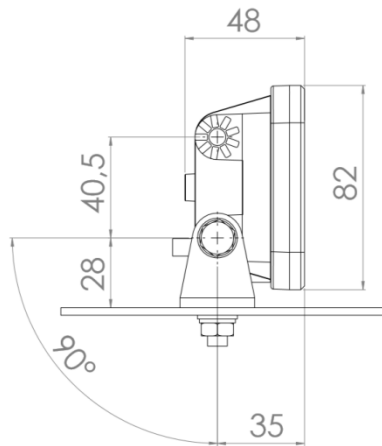
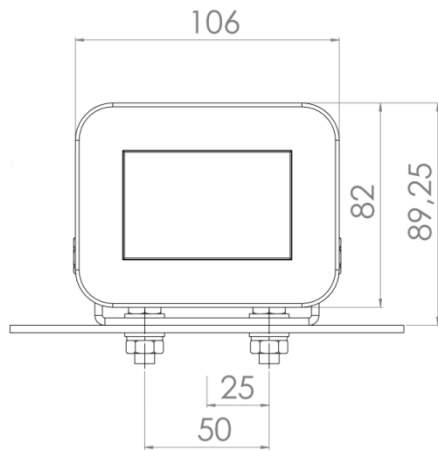
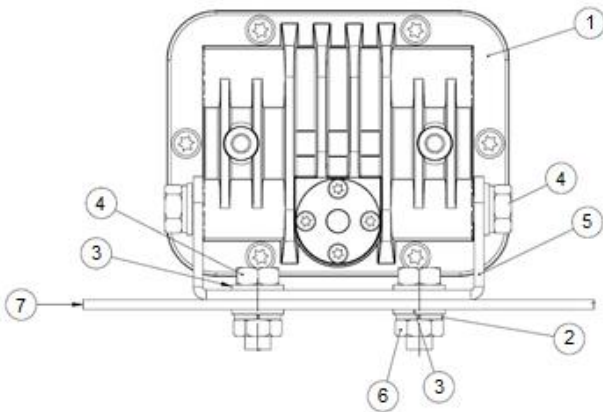
MTX LED reserves the right to make technical changes without prior notice.

Copyright © MTX LED 22.03.2018 VA02

Mounting Instruction mSWM

2. SUPPORT MOUNTING – THIN PLATE

For this mounting system SWM-MK4 Mounting Kit is required.
This mounting system is recommended for metal plates thinner than 4mm.
Bolts tighten with moment 15 Nm.



NO.	Description	QTY.
1	Lamp	1
2	M8 Spring washer	4
3	M8 Washer	6
4	M8x25 Bolt	4
5	Mini Support Plate	1
6	M8 Nut	2
7	Mounting surface	-

Contact:



+40 748 751 465

sales@mtxledsolutions.com

www.mtxledsolutions.com

MTX LED reserves the right to make technical changes without prior notice.

Copyright © MTX LED 22.03.2018 VA02

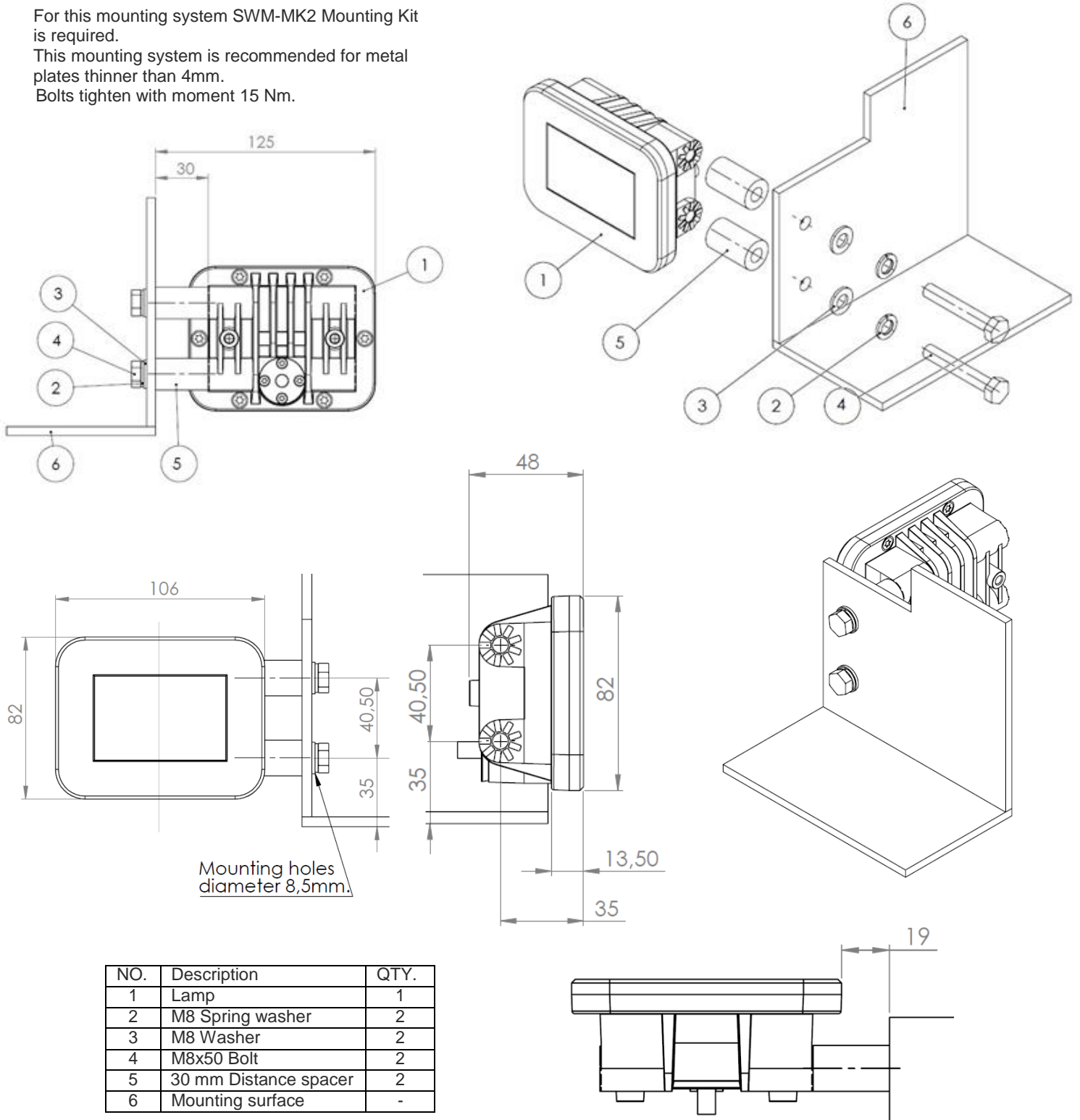
Mounting Instruction mSWM

3. SIDE MOUNTING

For this mounting system SWM-MK2 Mounting Kit is required.

This mounting system is recommended for metal plates thinner than 4mm.

Bolts tighten with moment 15 Nm.



NO.	Description	QTY.
1	Lamp	1
2	M8 Spring washer	2
3	M8 Washer	2
4	M8x50 Bolt	2
5	30 mm Distance spacer	2
6	Mounting surface	-

Contact: +40 748 751 465 | sales@mtxledsolutions.com | www.mtxledsolutions.com

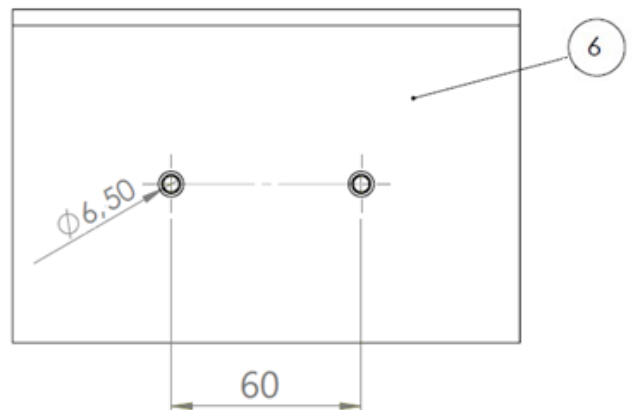
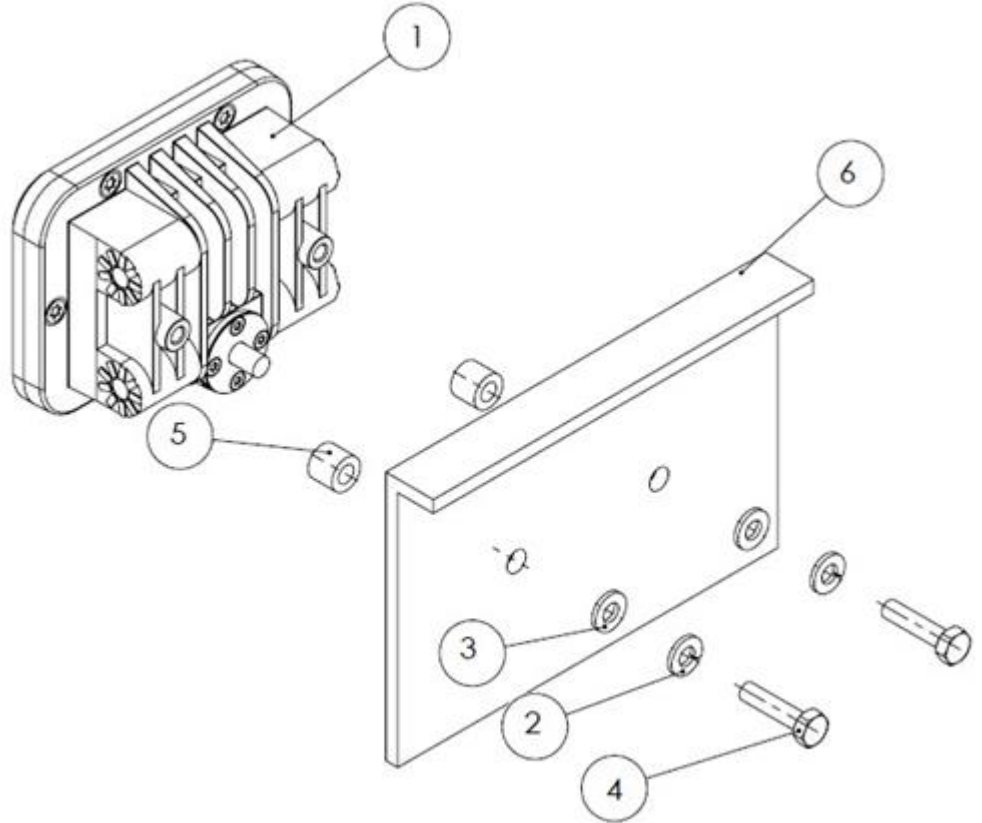
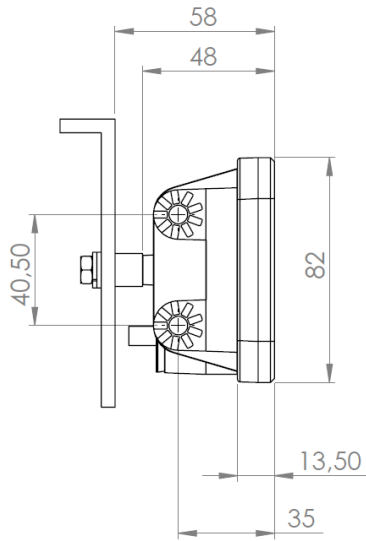
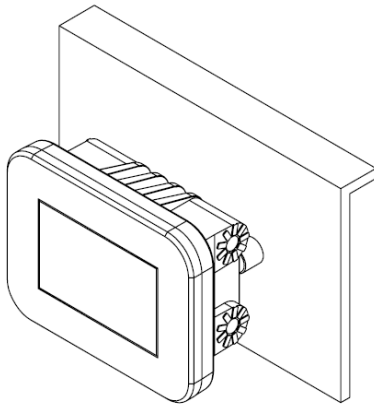
MTX LED reserves the right to make technical changes without prior notice.

Copyright © MTX LED 22.03.2018 VA02

Mounting Instruction mSWM

4. BACK MOUNTING

For this mounting system SWM-MK3 Mounting Kit is required.
 This mounting system is recommended for metal plate thinner than 4mm.
 Bolts tighten with moment 6,6 Nm.



NO.	Description	QTY.
1	Lamp	1
2	M6 Spring washer	2
3	M6 Washer	2
4	M6x25 Bolt	2
5	10 mm Distance spacer	2
6	Mounting surface	-

Contact: +40 748 751 465 | sales@mtxledsolutions.com | www.mtxledsolutions.com

MTX LED reserves the right to make technical changes without prior notice.

Copyright © MTX LED 22.03.2018 VA02

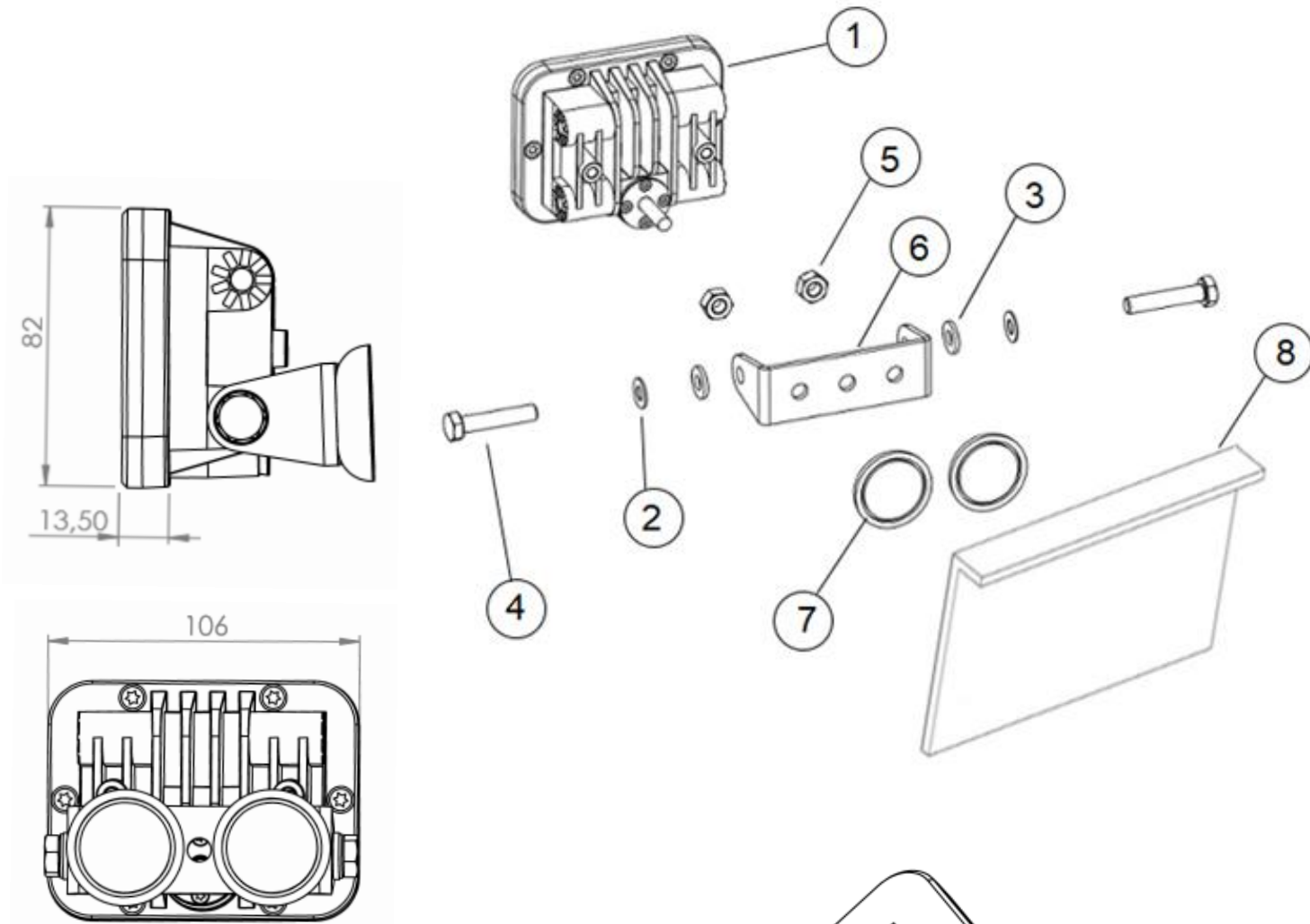
Mounting Instruction mSWM

5. MAGNET MOUNTING

For this mounting system SWM-MK5 Mounting Kit is required.

This mounting system is recommended for metal plates at least 1 mm thick.

Bolts tighten with moment 15 Nm.



NO.	Description	QTY.
1	Lamp	1
2	M8 Spring washer	2
3	M8 Washer	2
4	M8x25 Bolt	2
5	M6 Self-locking nut	2
6	Mini Support Plate	1
7	Magnet	2
8	Mounting surface	-

Contact:



+40 748 751 465

sales@mtxledsolutions.com

www.mtxledsolutions.com

MTX LED reserves the right to make technical changes without prior notice.

Copyright © MTX LED 22.03.2018 VA02

Mounting Instruction mSWM

6. ELECTRICAL MOUNTING

Each lamp should be protected by proper fuse, according to technical table. In the spiral cord version, wire is terminated with lighter plug.

Supply voltage		10,8 - 30 V	
Average power consumption		12 V	24 V
		1,8 A	0,9 A
Max. Impulse current		2,5 A	
Recommended fuse value		3 A	
Polarity	Brown	+	
	Blue	-	

Ordering code	Item	Description
160306.12370151	mSWM-12-WW-15-AAG	
160306.12370351	mSWM-12-WW-35-AAG	
160306.15310151	mSWM-15-CW-15-AAG	
160306.151310351	mSWM-15-CW-35-AAG	
160306.20320151	mSWM-20-CW-15-AAG	
160306.20320351	mSWM-20-CW-35-AAG	
160306.xx3yy0zz1*	mSWM-xx-yy-zz-AAG*	
160306.12370156	mSWM-12-WW-15-AAGS	
160306.12370356	mSWM-12-WW-35-AAGS	
160306.15310156	mSWM-15-CW-15-AAGS	
160306.15131036	mSWM-15-CW-35-AAGS	
160306.20320156	mSWM-20-CW-15-AAGS	
160306.20320356	mSWM-20-CW-35-AAGS	
160306.xx3yy0zz6*	mSWM-xx-yy-zz-AAGS*	

* Custom version possible change: CCT correlated color temperature (yy), FWHM angle reflector (zz), power consumption - Luminous flux (xx) (maximum power 21 [W])

Contact: +40 748 751 465 | sales@mtxledsolutions.com | www.mtxledsolutions.com

MTX LED reserves the right to make technical changes without prior notice.

Copyright © MTX LED 22.03.2018 VA02