

Mounting Instruction sBWL

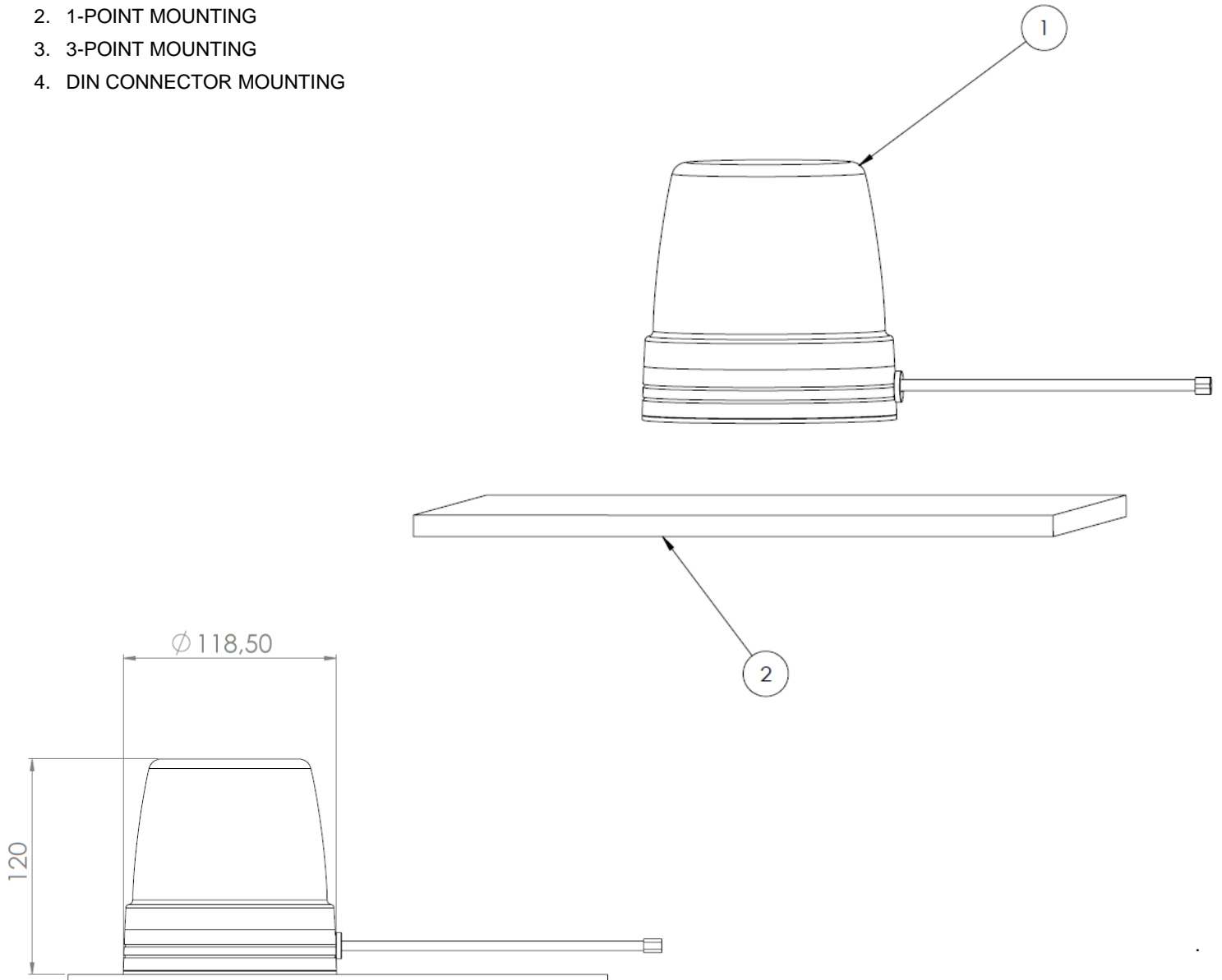
INTRODUCTION

sBWL should be mounted in 4 different ways

1. MAGNET MOUNTING
2. 1-POINT MOUNTING
3. 3-POINT MOUNTING
4. DIN CONNECTOR MOUNTING

1. MAGNET MOUNTING

For this mounting system Mounting Kit is not required.



NO	Description	QTY.
1	Lamp	1
2	Mounting surface	-

Contact:  +40 748 751 465 | sales@mtxledsolutions.com | www.mtxledsolutions.com

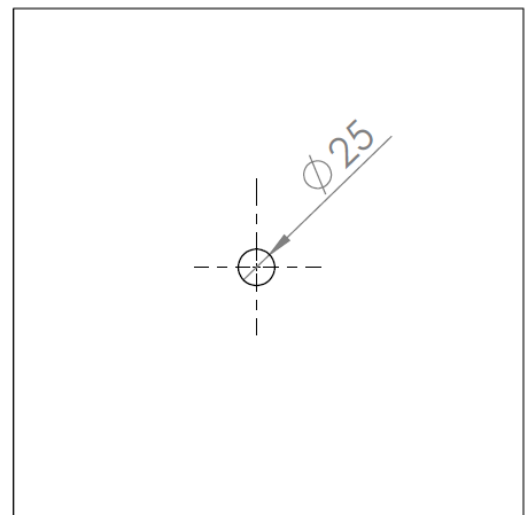
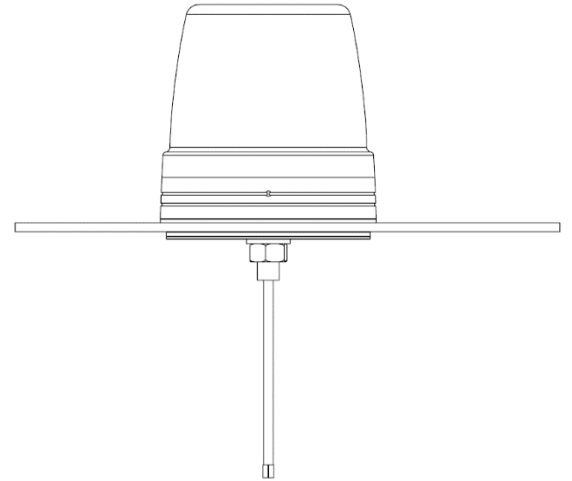
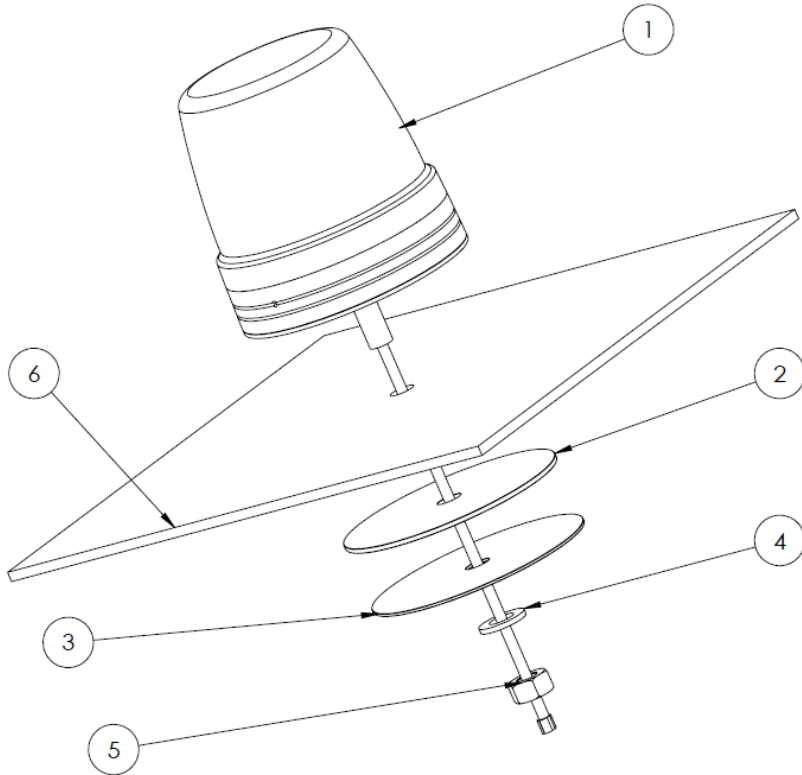
MTX LED reserves the right to make technical changes without prior notice.

Copyright © MTX LED 17.01.2020 R02

Mounting Instruction sBWL

2. 1-POINT MOUNTING

For this mounting system sBWL-MK1 Mounting Kit is required.



NO	Description	QTY.
1	Lamp	1
2	Rubber Pad	1
3	Steel Washer	1
4	Washer M12	1
5	Nut M12	1
6	Mounting Surface	-

Contact:  +40 748 751 465 | sales@mtxledsolutions.com | www.mtxledsolutions.com

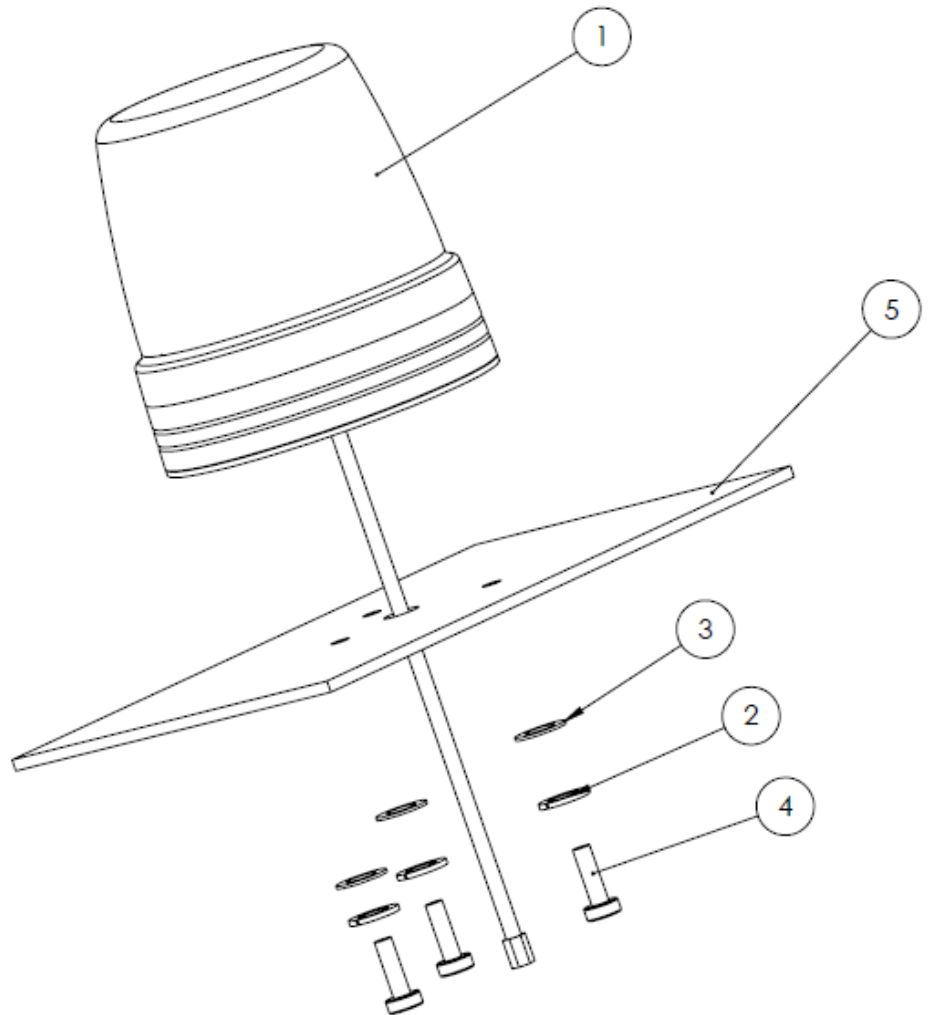
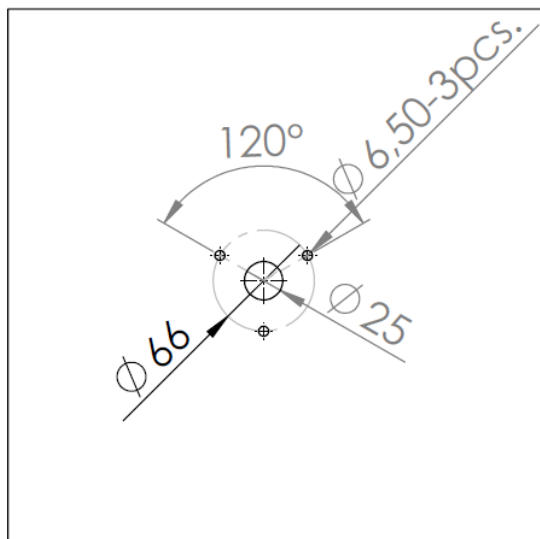
MTX LED reserves the right to make technical changes without prior notice.

Copyright © MTX LED 17.01.2020 R02

Mounting Instruction sBWL

3. 3-POINT MOUNTING

For this mounting system sBWL-MK2 Mounting Kit is required.



NO	Description	QTY.
1	Lamp	1
2	Spring washer M6	3
3	Washer M6	3
4	Screw M6x20	3
5	Mounting Surface	-

Contact:  +40 748 751 465 | sales@mtxledsolutions.com | www.mtxledsolutions.com

MTX LED reserves the right to make technical changes without prior notice.

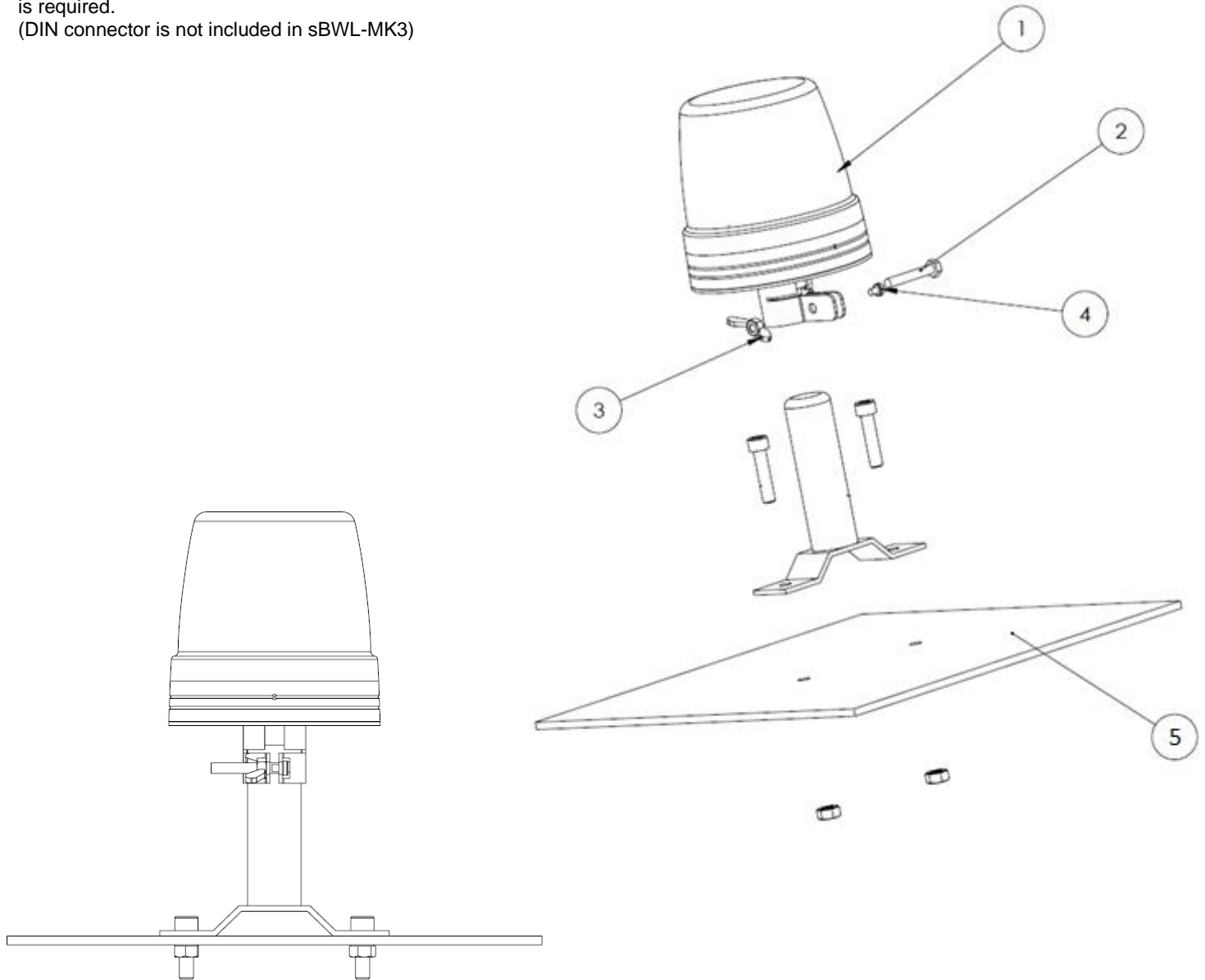
Copyright © MTX LED 17.01.2020 R02

Mounting Instruction sBWL

4. DIN CONNECTOR MOUNTING

For this mounting system sBWL-MK3 Mounting Kit is required.

(DIN connector is not included in sBWL-MK3)



NO	Description	QTY.
1	Lamp	1
2	Screw M6x40	1
3	Wing nut M6	1
4	Screw M4x8	1
5	Mounting surface	-

Contact:  +40 748 751 465 | sales@mtxledsolutions.com | www.mtxledsolutions.com

MTX LED reserves the right to make technical changes without prior notice.

Copyright © MTX LED 17.01.2020 R02

Mounting Instruction sBWL

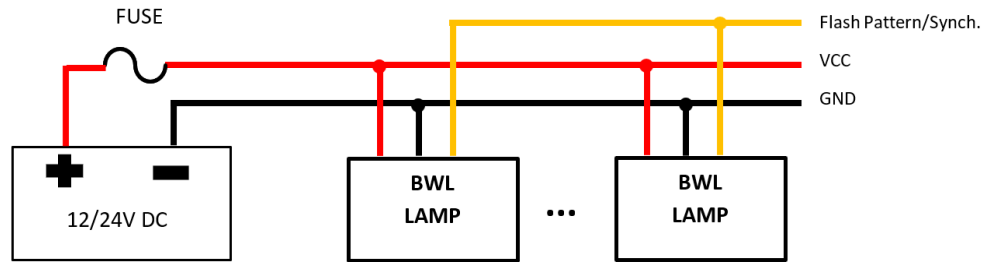
5. ELECTRICAL MOUNTING

Each lamp should be protected by proper fuse, according to technical table.

Parameter:

Supply voltage	11-30VDC	
Average Current	12 V	24 V
	1.5 A	1 A
Inrush Current	4 A	2 A
Recommended fuse value (single lamp)	5 A	
Wires	Red	VCC
	Black	GND
	Yellow	FP&S Flash Patterns & Synch.

Schematic:



Fuse:

Value of fuse depends of number of connected lamps (recommended value):

- 1 x BWL - ~5 A fuse
- 2 – 3 x BWL - ~10 A fuse
- 4 – 6 x SWL - ~15 A fuse

Flash Patterns:

No.	Flash Patterns
1	Single
2	Double
3	Triple
4	Quad

Switch Pattern:

FP&S (YELLOW) wires connect to VCC (RED) wires

- Once for next Flash Pattern.
- Quickly three times for RESET to Flash Pattern No.1.

Synchronize lamps:

Connect FP&S (YELLOW) wires of all together for synchronization, (All lamps should be set at the same Flash Pattern)

- Possible works with other model of MTX lamps.

Alternating or Simultaneous Flash (change Group):

1. Apply plus of power to VCC (RED) and FP&S (YELLOW) wires simultaneously to enter grouping mode; lamps will display short (single or double) flashes:
 - Single flash = Group 1
 - Double flash = Group 2
2. Disconnect FP&S (YELLOW) wire from VCC and momentarily apply to VCC to change Groups:
 - Lamps in the same Group flash together.
 - Group 1 lamps flash alternate with Group 2 lamps.