

Mounting Instruction sRWM

INTRODUCTION

MTX LED sRWM lamp can be mounted in five different ways:

1. HORIZONTAL MOUNTING FROM BELOW
2. HORIZONTAL MOUNTING FROM THE TOP
3. SIDE MOUNTING
4. VERTICAL MOUNTING FROM BELOW
5. VERTICAL MOUNTING FROM THE TOP

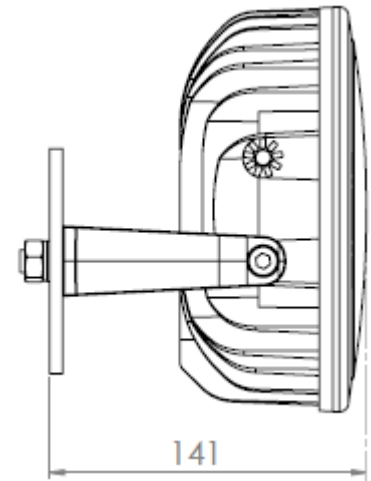
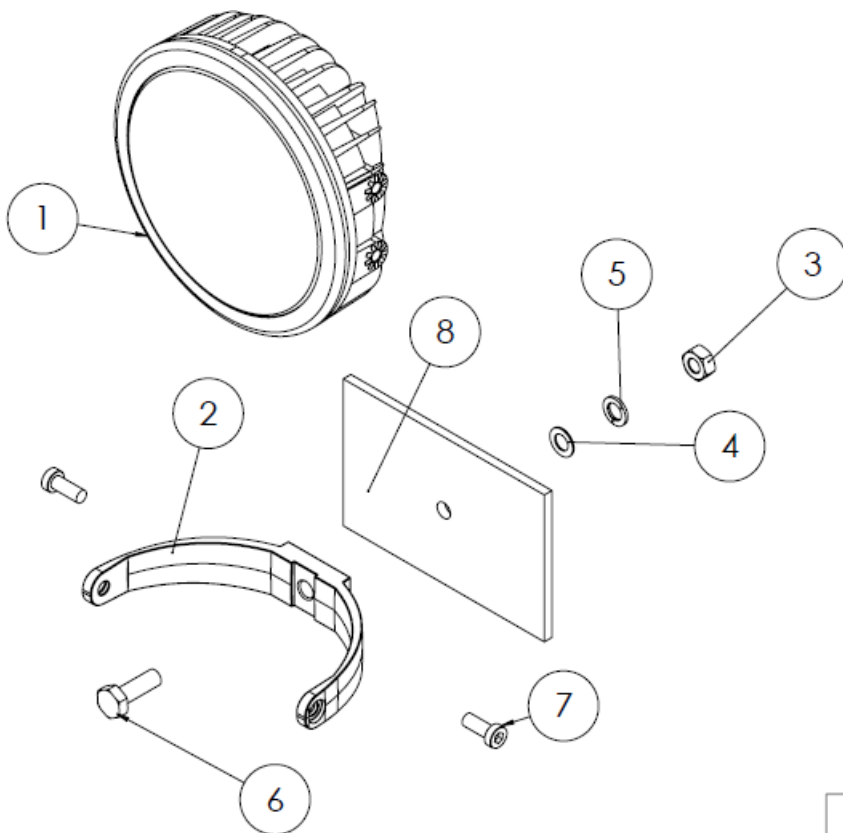
Mounting Kit RWM-MK1 is added to each lamp.

USEFUL TOOLS

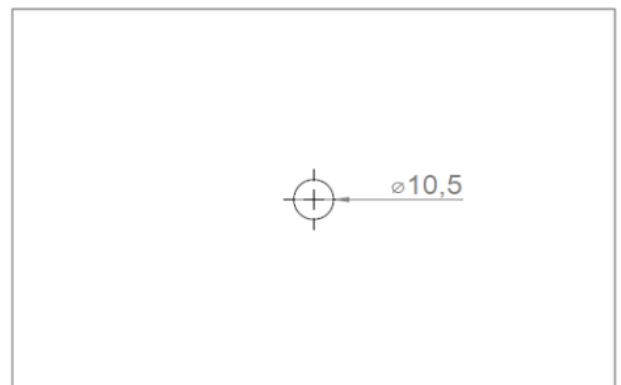


1. HORIZONTAL MOUNTING FROM BELOW

For this mounting system RWM-MK1 Mounting Kit is required.



NO.	Description	QTY.
1	Lamp	1
2	Support Plate	1
3	Nut M10	1
4	Washer M10	1
5	Spring washer M10	1
6	Bolt M10x30	1
7	Screw M8x20	2
8	Mounting plate	-



Contact:



+40 748 751 465

sales@mtxledsolutions.com

www.mtxledsolutions.com

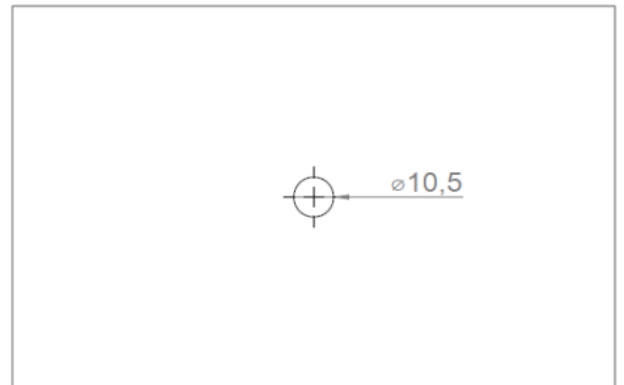
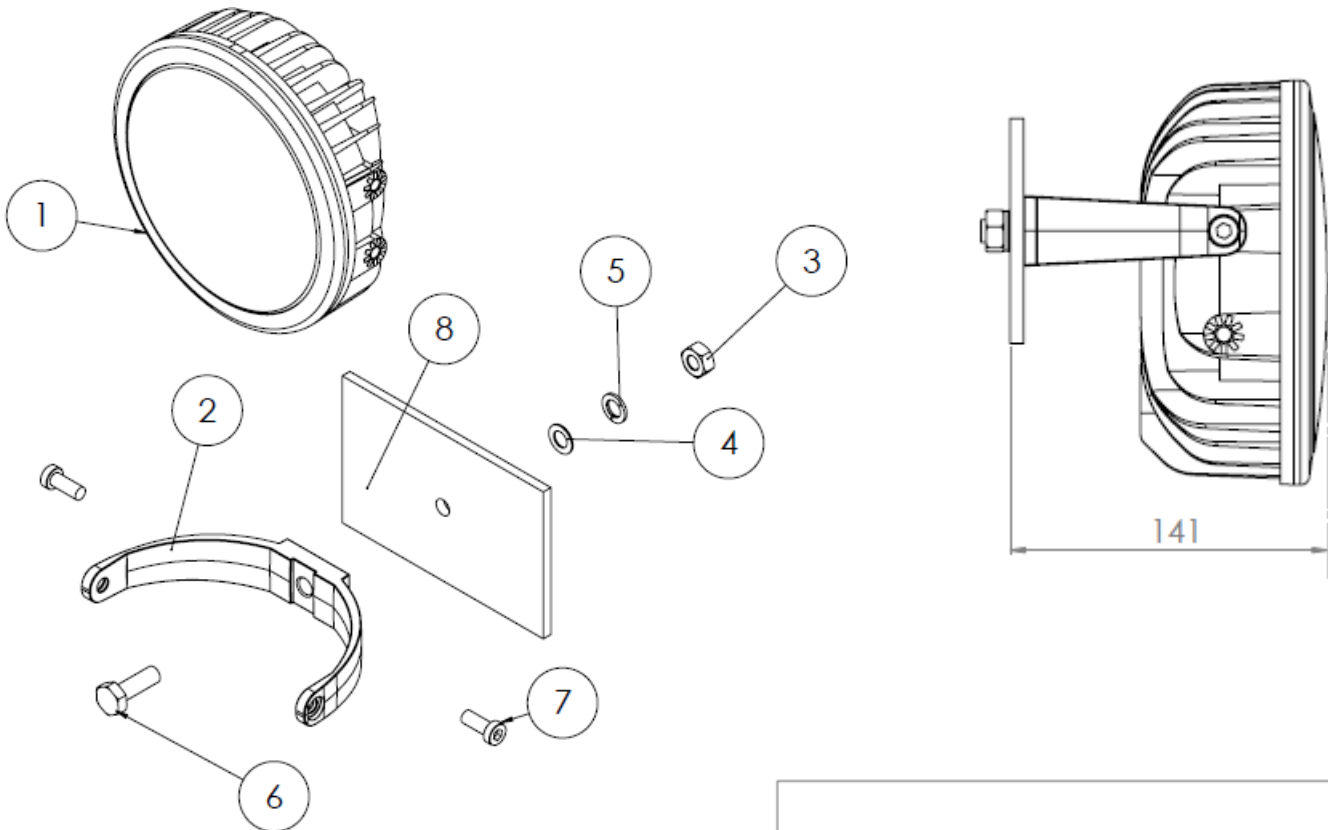
MTX LED reserves the right to make technical changes without prior notice.

Copyright © MTX LED 08.01.2020 VA01

Mounting Instruction sRWM

2. HORIZONTAL MOUNTING FROM THE TOP

For this mounting system RWM-MK1 Mounting Kit is required.



NO.	Description	QTY.
1	Lamp	1
2	Support Plate	1
3	Nut M10	1
4	Washer M10	1
5	Spring washer M10	1
6	Bolt M10x30	1
7	Screw M8x20	2
8	Mounting plate	-

Contact:



+40 748 751 465

sales@mtxledsolutions.com

www.mtxledsolutions.com

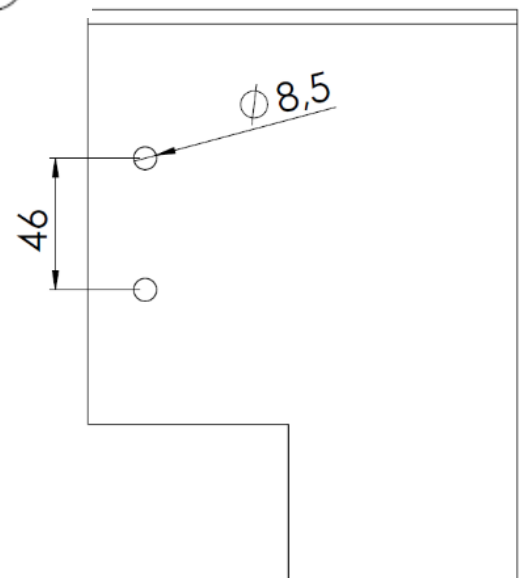
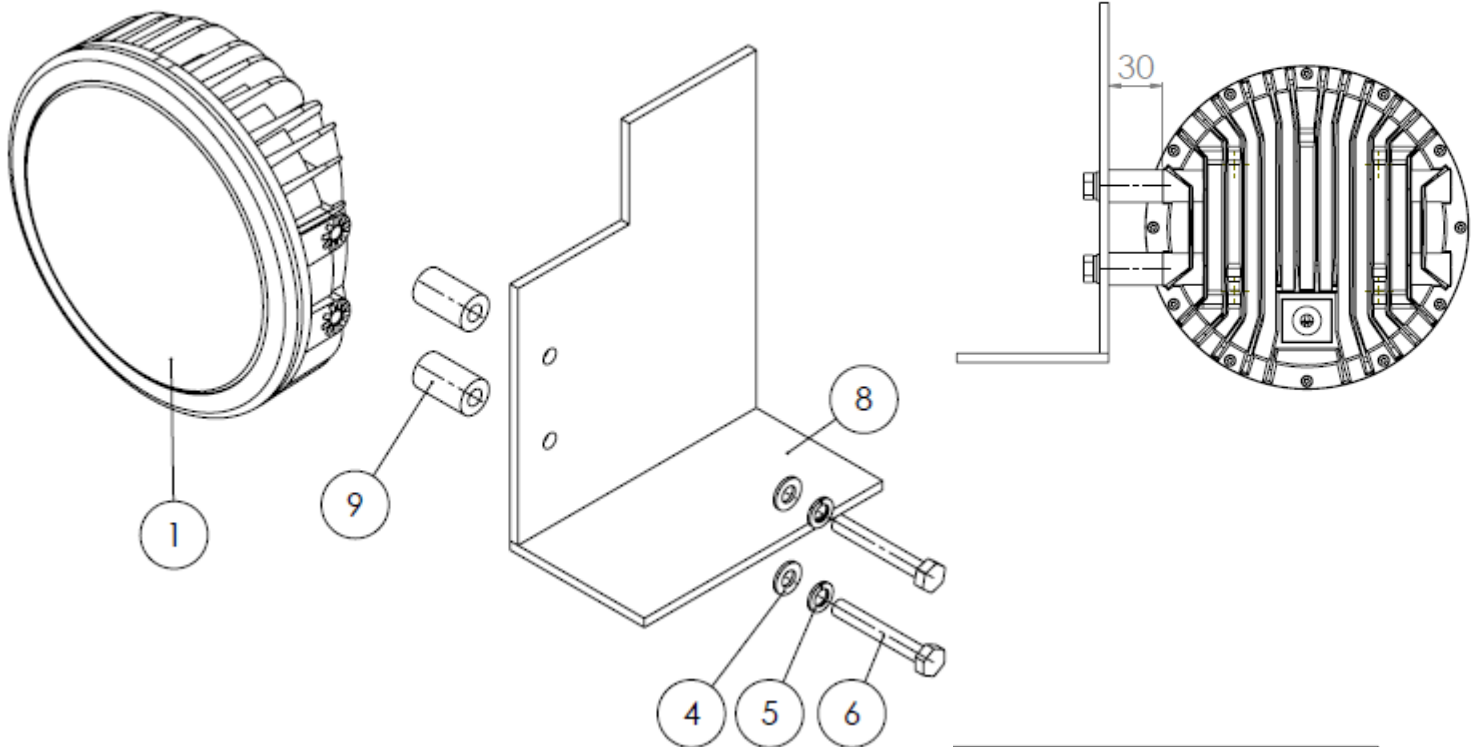
MTX LED reserves the right to make technical changes without prior notice.

Copyright © MTX LED 08.01.2020 VA01

Mounting Instruction sRWM

3. SIDE MOUNTING

For this mounting system RWM-MK2 Mounting Kit is required.



NO.	Description	QTY.
1	Lamp	1
4	Washer M8	2
5	Spring washer M8	2
6	M8x50 Bolt	2
8	Mounting surface	-
9	30 mm Distance spacer	2

Contact:



+40 748 751 465

sales@mtxledsolutions.com

www.mtxledsolutions.com

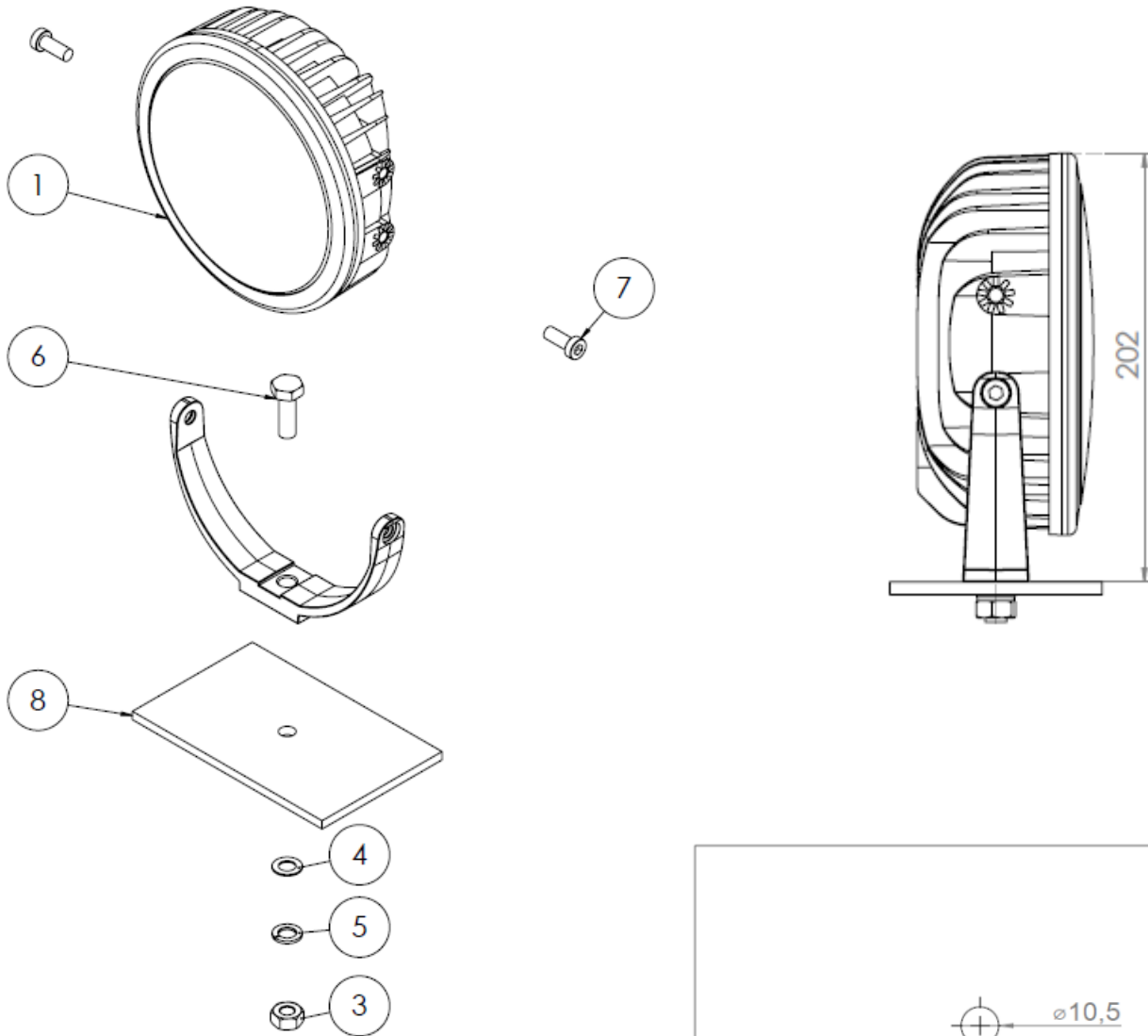
MTX LED reserves the right to make technical changes without prior notice.

Copyright © MTX LED 08.01.2020 VA01

Mounting Instruction sRWM

4. VERTICAL MOUNTING FROM BELOW

For this mounting system RWM-MK1 Mounting Kit is required.



NO.	Description	QTY.
1	Lamp	1
2	Support Plate	1
3	Nut M10	1
4	Washer M10	1
5	Spring washer M10	1
6	Bolt M10x30	1
7	Screw M8x20	2
8	Mounting plate	-

Contact:



+40 748 751 465

sales@mtxledsolutions.com

www.mtxledsolutions.com

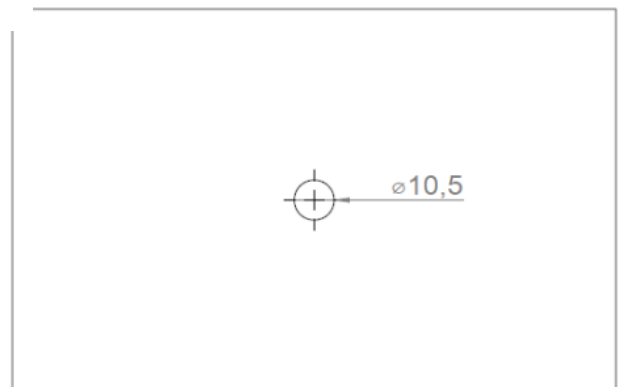
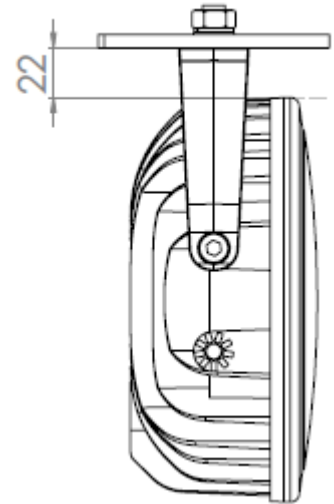
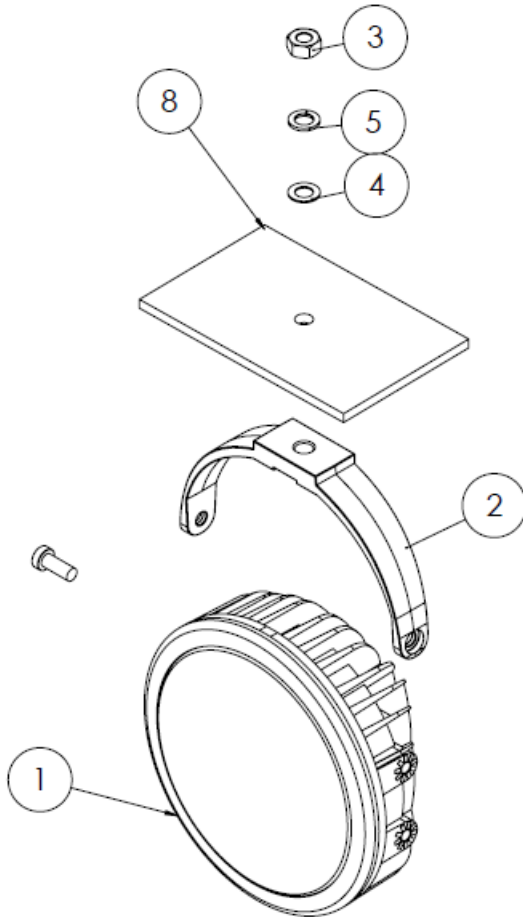
MTX LED reserves the right to make technical changes without prior notice.

Copyright © MTX LED 08.01.2020 VA01

Mounting Instruction sRWM

5. VERTICAL MOUNTING FROM THE TOP

For this mounting system RWM-MK1 Mounting Kit is required.



NO.	Description	QTY.
1	Lamp	1
2	Support Plate	1
3	Nut M10	1
4	Washer M10	1
5	Spring washer M10	1
6	Bolt M10x30	1
7	Screw M8x20	2
8	Mounting plate	-

Contact:



+40 748 751 465

sales@mtxledsolutions.com

www.mtxledsolutions.com

MTX LED reserves the right to make technical changes without prior notice.

Copyright © MTX LED 08.01.2020 VA01

Mounting Instruction sRWM

6. ELECTRIC CONNECTION

Each lamp should be protected by proper fuse, according to technical table.

Supply voltage	10.8 - 30 V	
Average power consumption	12 V	24 V
	3,5 A	1,75 A
Max. Impulse current	4 A	
Recommended fuse value	5 A	
polarity	Brown	+ (High beams)
	Blue	- (GND)
	Yellow-green	+ (Positions lights)

Ordering code	Item	Description
180403.253200B1	sRWM-25-CW-AAG	2500 lm, 5000/5700 K

* Custom version possible change: CCT correlated color temperature (yy), FWHM angle reflector (zz), power consumption - Luminous flux (xx)

Contact:  +40 748 751 465 | sales@mtxledsolutions.com | www.mtxledsolutions.com

MTX LED reserves the right to make technical changes without prior notice.

Copyright © MTX LED 08.01.2020 VA01