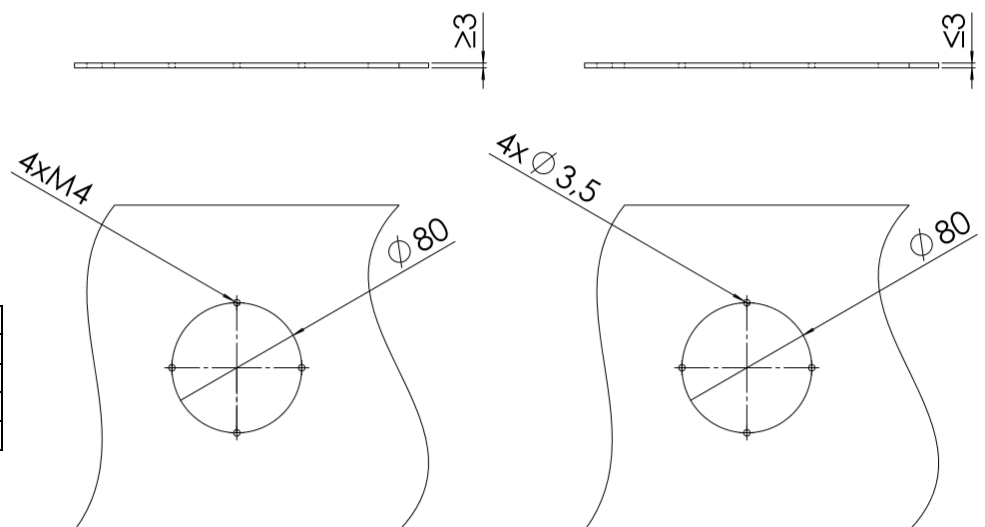
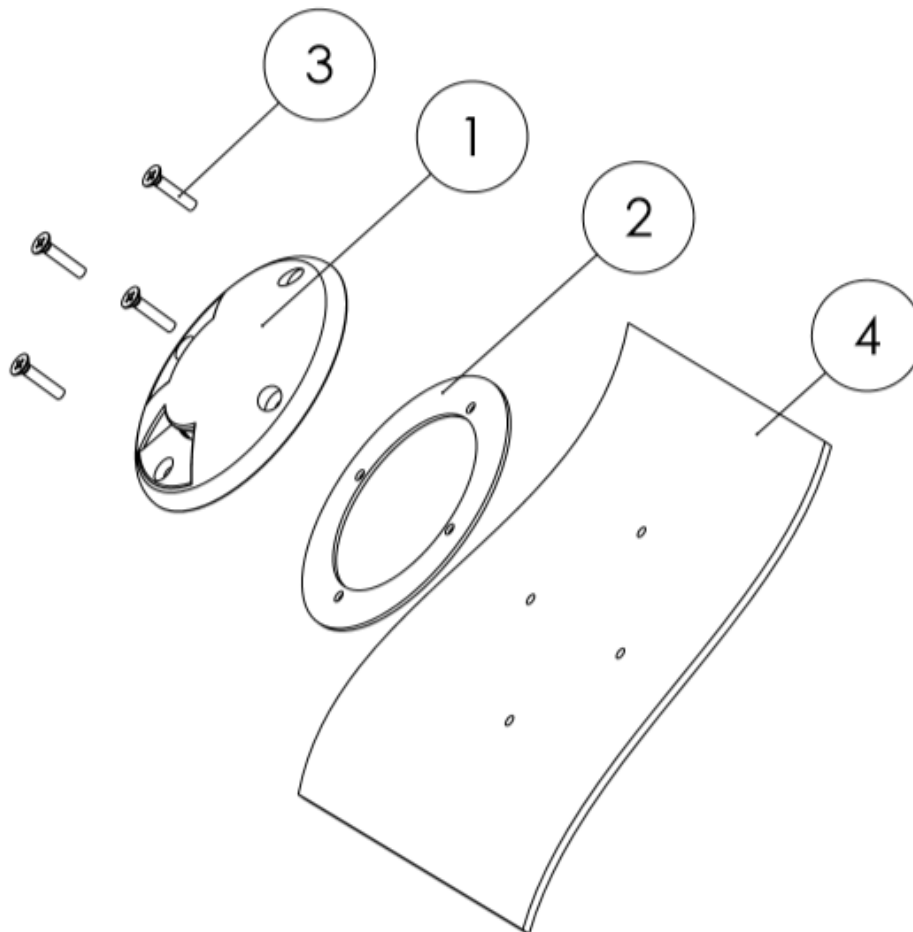
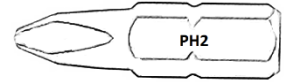
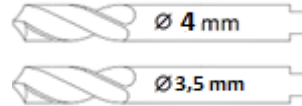


Mounting Instruction LWL

INTRODUCTION

MTX LED LWL should be mounted as follows.

USEFULL TOOLS



NO	Description	QTY.
1	Lamp	1
2	Gasket	1
3	ST3,9x19 or M4x20 Screw	4
4	Mounting surface	-

Contact:  +40 748 751 465 | sales@mtxledsolutions.com | www.mtxledsolutions.com

MTX LED reserves the right to make technical changes without prior notice.

Copyright © MTX LED 14.04.2020 R01

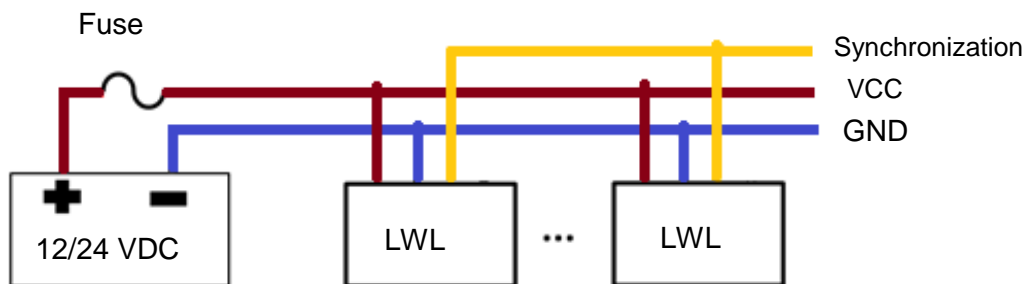
Mounting Instruction LWL

ELECTRICAL MOUNTING

Each lamp should be protected by proper fuse, according to technical table.

Supply Voltage	10,5-30 VDC	
Average current	12 V	24 V
	0,5 A	0,3 A
Inrush current	1 A	0,6 A
Recomended fuse value (single lamp)	2 A	
Wires	Brown	VCC
	Blue	GND
	Yellow-green	Synchronization

Schematic:



Fuse:

Value of fuse depends of number of connected lamps (recommended value):

- 1 x LWL - ~2 A fuse
- 2 – 4 x LWL - ~5 A fuse
- 5 – 8 x LWL - ~10 A fuse
- 9 - 10 x LWL --15 A fuse