

# Datasheet IWL

## INTRODUCTION

The latest generation of lamps by MTX a Romanian manufacturer is an advanced energy-efficient and environmentally friendly recessed spotlight for automotive and indoor applications. The use of new generation LEDs by CREE® guarantees very high light output efficiency values 414 lm for the 6 W IWL version. LED lightning do not contain toxic compounds such as lead and mercury, are energy efficient and provide lighting devoid of UV and IR radiation. Is has no negative impact on the environment. The aluminum fixtures guarantee LED cooling. Modern design and good performance give the lamp a significant competitive advantage on the market.



## SPECIFICATION

Color	Comfort White	Warm White	Neutral White	Cool White
Color temperature	2700 K	3000 K	4000 K	5700 K
Lumen Output*	360 lm	390 lm	400 lm	420 lm
Emergency Colour	3000 K	3000 K	3000 K	3000 K
Emergency Lumen	40 lm	40 lm	40 lm	40 lm
Output				
CRI Typical	80	80	80	75
Input Voltage			18-30V DC	
LED Working Current			125mA	
Number of mail LED			6	
Operating temperature			-20°C ÷ 40°C	
Dimensions [mm]			O75mm x H14.75mm	
Ingres Protection			IP20	
Appliance class			Class III	
Viewing Angle [FWHM]			36°	
Wattage			4,8 W @24V	
Dimmable			PWM	
Connector			MOLEX MICRO-FIT 3.0 / CIVILUX PWH04S / WURTH WR-MPC3	
Lifetime***			≥ 36000 hours	

\* Performance in real-life conditions at ambient temperature of 40° C; includes optical losses, tolerance of source Lumen Output - 5%

\*\* Other CCT and colours available on request

\*\*\* Approximate lifetime of LEDs as declared by the manufacturer Creeer and other electronic components

## APPLICATIONS

IWL can be widely used in different types of application:

- Interior Bus lighting
- Recessed furniture LED spotlight
- Interior Train lighting
- Decorative lighting

## FEATURES

- Cree® LEDs
- High efficiency
- Environmentally friendly
- Long Lifetime
- Low profile
- Energy Saving
- Modern Design
- 18-30 V DC power supply
- R10 compatible
- No UV and Mercury

### Contact:



+40 748 751 465

[sales@mtxledsolutions.com](mailto:sales@mtxledsolutions.com)

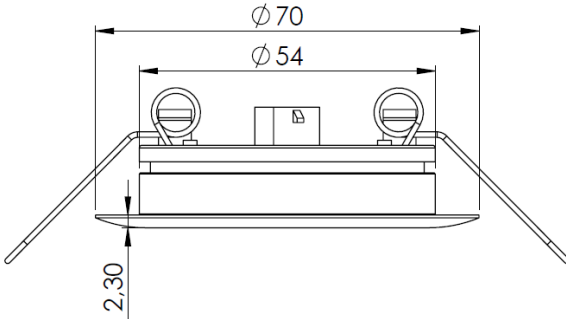
[www.mtxledsolutions.com](http://www.mtxledsolutions.com)

MTX LED reserves the right to make technical changes without prior notice.

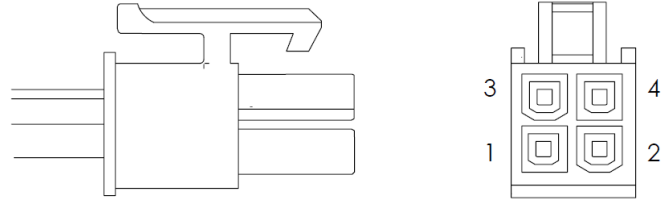
Copyright © MTX LED 2019-11-29 VA 02

# Datasheet IWL

## DIMENSIONS



## ELECTRICAL INSTALLATION



<b>PIN 1:</b>	<b>Emergency (+)</b>
<b>PIN 2:</b>	<b>PWM</b>
<b>PIN 3:</b>	<b>Main Lamp(+)</b>
<b>PIN 4:</b>	<b>GND (-)</b>

## SURFACE FINISH

**White gloss finish**



**Silver fine finish**



**Sandblasted**



## ORDERING CODE

Ordering code	Item	Description
181102.36386363	IWL-36-VW-36-AAPS	360 lm, 2700 K, 36°, silver fine finish
181102.39376363	IWL-39-WW-36-AAPS	390 lm, 3000 K, 36°, silver fine finish
181102.40356363	IWL-40-NW-36-AAPS	400 lm, 4000 K, 36°, silver fine finish
181102.42326363	IWL-42-CW-36-AAPS	420 lm, 5700 K, 36°, silver fine finish
181102.36382363	IWL-36-VW-36-AAPW	360 lm, 2700 K, 36°, white gloss finish
181102.39372363	IWL-39-WW-36-AAPW	390 lm, 3000 K, 36°, white gloss finish
181102.40352363	IWL-40-NW-36-AAPW	400 lm, 4000 K, 36°, white gloss finish
181102.42322363	IWL-42-CW-36-AAPW	420 lm, 5700 K, 36°, white gloss finish
181102.36387363	IWL-36-VW-36-AAPM	360 lm, 2700 K, 36°, sandblasted
181102.39377363	IWL-39-WW-36-AAPM	390 lm, 3000 K, 36°, sandblasted
181102.40357363	IWL-40-NW-36-AAPM	400 lm, 4000 K, 36°, sandblasted
181102.42327363	IWL-42-CW-36-AAPM	420 lm, 5700 K, 36°, sandblasted

**Contact:**



+40 748 751 465

[sales@mtxledsolutions.com](mailto:sales@mtxledsolutions.com)

[www.mtxledsolutions.com](http://www.mtxledsolutions.com)

MTX LED reserves the right to make technical changes without prior notice.

Copyright © MTX LED 2019-11-29 VA 02