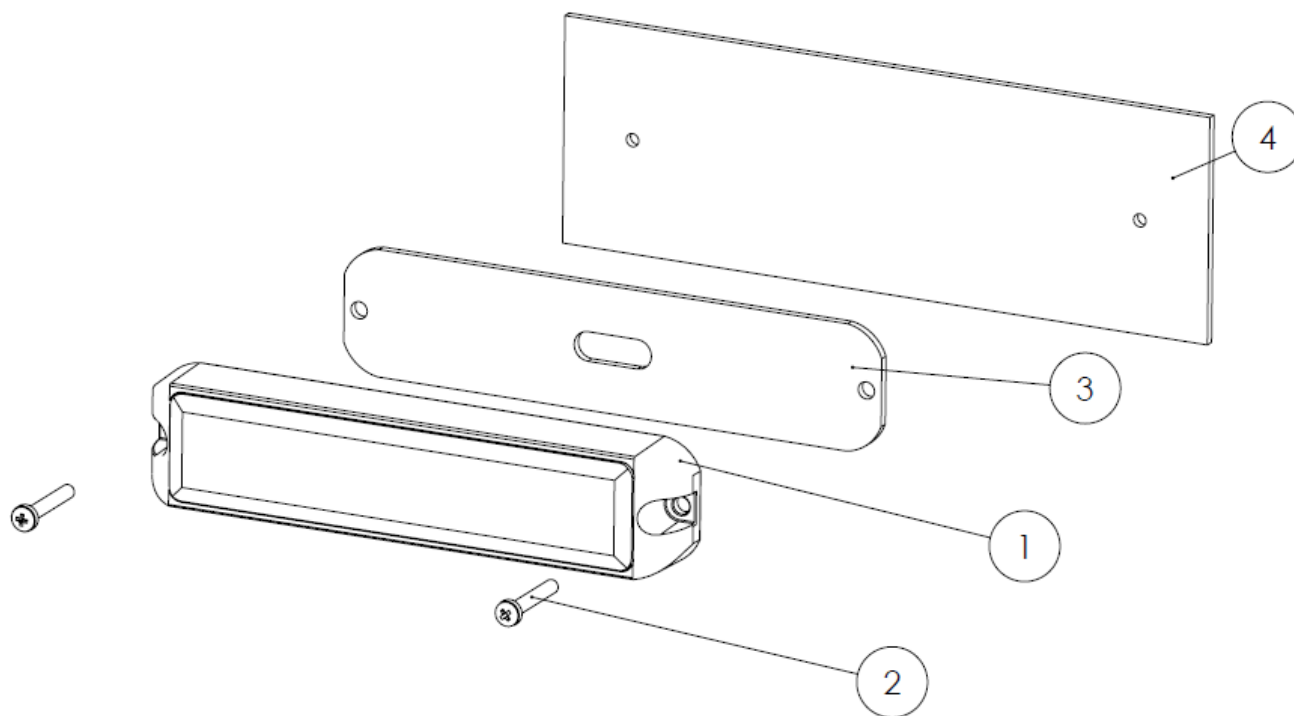


Mounting instruction of FWL

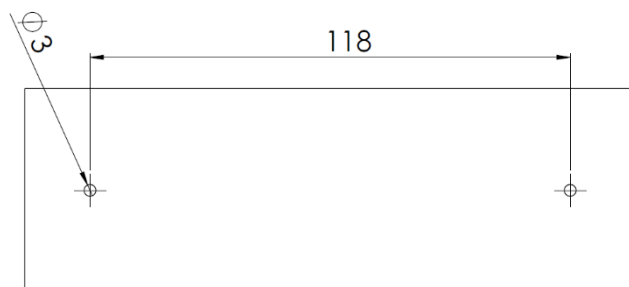
INTRODUCTION

FWL should be mounted as below

USEFULL TOOLS



NO	Description	QTY
1	Lamp	1
2	ST 3.5x20 Screw	2
3	Pad	1
4	Mounting surface	-



Contact:



+40 748 751 465

sales@mtxledsolutions.com

www.mtxledsolutions.com

MTX LED reserves the right to make technical changes without prior notice.

Copyright © MTX LED 04.08.2020 R02

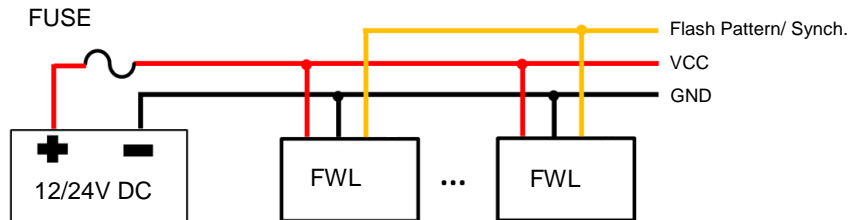
Mounting instruction of FWL

ELECTRICAL MOUNTING

Parameters:

Supply voltage		10,5-30 VDC	
Average Current		12 V	Average Current
		0,5 A	
Inrush Current		1 A	Inrush Current
Recommended fuse value (single lamp)		2 A	
Wires	Red	VCC	
	Black	GND	
	Yellow	FP&S Flash Patterns & Sync.	

Schematic:



Fuse:

The fuse value depends on the number of connected FWL lamps (recommended value):

- 1 x FWL - ~2 A fuse
- 2 – 4 x FWL - ~5 A fuse
- 5 – 8 x FWL - ~10 A fuse
- 9 – 10 x FWL - ~15 A fuse

Flash Patterns:

No.	Flash Patterns
1	Single
2	Double
3	Triple
4	Quad

Switch Pattern:

FP&S (YELLOW) wires connect to VCC (RED) wires

- Once for next Flash Pattern.
- Quickly three times for RESET to Flash Pattern No.1.

Synchronize lamps:

Connect all FP&S (YELLOW) wires together for synchronization (all lamps will be set to the same Flash Pattern)

- Same synchronization method applies to other MTX products.

Alternating or Simultaneous Flash (change Group):

1. Apply plus of the power source to VCC (RED) and FP&S (YELLOW) wires simultaneously to enter grouping mode; lamps will display short (single or double) flashes:
 - Single flash = Group 1
 - Double flash = Group 2
2. Disconnect FP&S (YELLOW) wire from VCC and instantly (within 1 second) apply to VCC to change Groups:
 - Lamps from the same group flash simultaneously.
 - Lamps from group 1 and 2 flash alternately.

Contact:



+40 748 751 465

sales@mtxledsolutions.com

www.mtxledsolutions.com

MTX LED reserves the right to make technical changes without prior notice.

Copyright © MTX LED 04.08.2020 R02